



	<b>LOW LOW VOLTAGE (48 V DC)</b> FOR MORE SAFETY
	ECO EFFICIENCY
	APPROX. <b>13 HOURS</b> CONTINUOUS LIGHT EVERY <b>2:30 HOURS</b> CHARGE
	460 W TOTAL
	UP TO <b>9m</b> MAST HEIGHT
	<b>CREE</b>  <b>LEDs</b> LONG LIFE LEDs
	ZERO NOISE*
	REMOTE MONITORING (OPTION)
	PERMANENT MAGNET TECHNOLOGY
	UP TO <b>20 LIGHTING TOWERS</b> ON A EU TRUCK

- Lower CO<sub>2</sub>
- Lower fuel consumption
- No acoustic pollution\*
- Suitable for indoor use\*
- 2600 hours engine maintenance intervals
- 750 hours fuel autonomy
- Instant light
- Low low voltage for improved safety
- Vegetable Biodegradable hydraulic oil.
- Performance optimized with variable speed system

\*in battery mode

# HybridBOX-VS

VARIABLE SPEED HYBRID LIGHTING TOWER with LED TECHNOLOGY and LITHIUM BATTERY



HB

HB - HYBRID BOX	Units	HB 9404 PK
Voltage	V	48 V DC
LED Lamps total power	W	4 x 115
Fuel tank	l	150
Fuel consumption*	l/h	0,20
Weight	Kg	990
Control panel	..	Q0048 AUS-80
Dimensions LxWxH	cm	130x110x243
Max dimensions LxWxH	cm	207x162x900

LITHIUM BATTERY PACK	Units	V-LFP 44V 111 Ah
Nominal voltage	V	44V
Nominal capacity	Ah	111
Weight	kg	62
Nominal energy	Wh	5000
Volumetric energy density	Wh/l	141
Gravimetric energy density	Wh/kg	81
Round trip efficiency	%	>98
Depth of discharge (DoD)	%	85

\*Consumption figures are in liters per hours of light

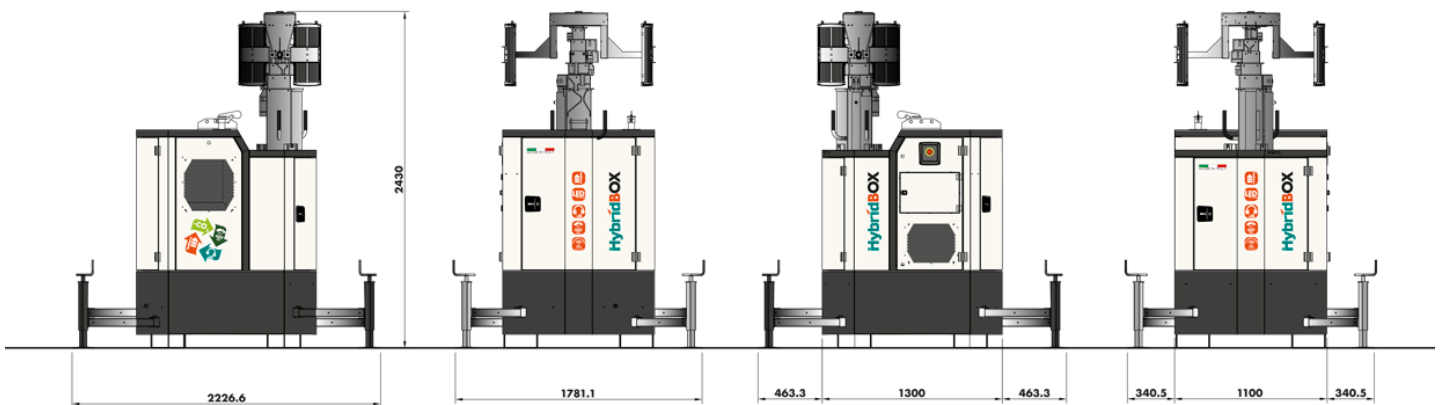


ENGINE	Units	402D-05
RPM		1800
PRP	kWm	4,5
LTP	kWm	5,0
Governor		Mechanical
Arrangement		2 L
Total displacement	cm <sup>3</sup>	686
Aspiration		Natural

### EQUIPMENT

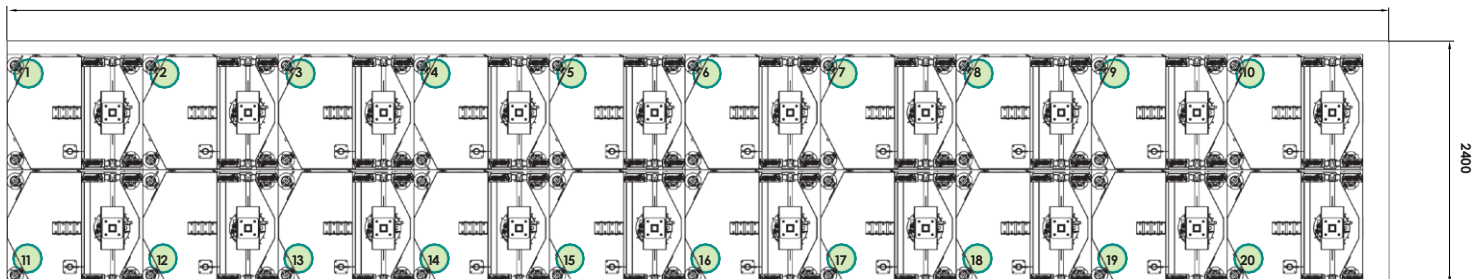
- 4 x 115 W LED projectors (total power 460W)
- Manual head tilt
- Galvanised steel hydraulic mast
- Deployment time: 15 seconds
- Mast extendible up to 9 m
- 350° Mast rotation with brake
- Galvanised steel soundproofing canopy
- Liquids bunding
- Oil extraction pump
- 4 adjustable stabilizers
- 2 Battery isolatorswitches
- Remote monitoring (available as optional)
- Variable speed regulation kit

ALTERNATOR	Units	Permanent Magnet Technology PMG Type - Made in Italy
Voltage	V	48 DC



### LOADING FLOOR

13.600



### BRUNO S.R.L.

S.S. 91 Km 0,600 - 83035 Grottaminarda (AV) Tel.

+39.0825.4210 - Fax.+39.0825.445130

Vendite Italia: Tel. +39.0825.421035 - Tel. +39.0825.421654 - [venditeitalia@brunogenerators.it](mailto:venditeitalia@brunogenerators.it)

Export Department: Tel. +39.0825.421005 - Fax.+39.0825.426169 - [export@brunogenerators.it](mailto:export@brunogenerators.it)

Technical data not binding